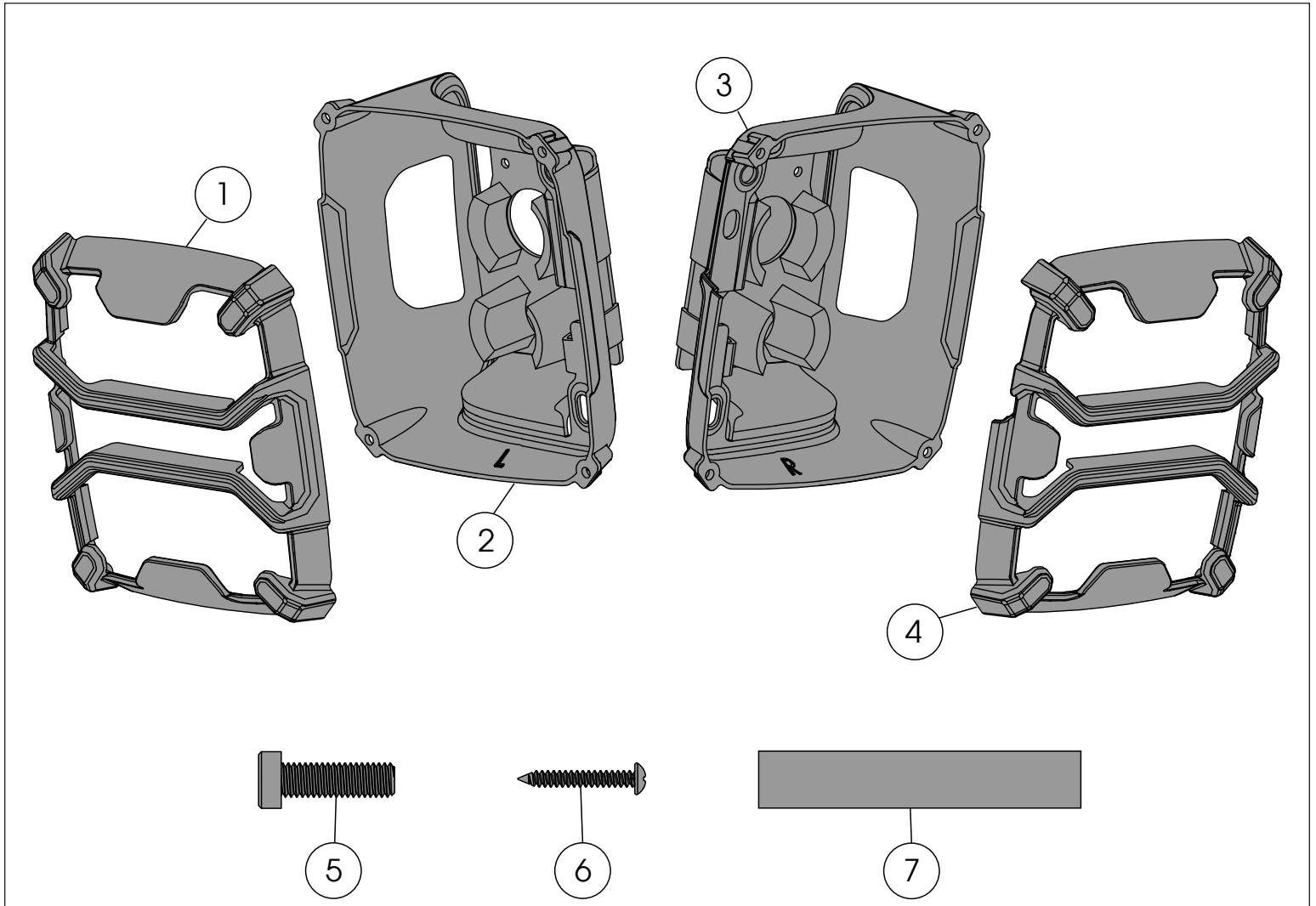


Elite Tail Light Guard, Wrangler JL Patent Pending



Components

1. Guard, LH	(1)	5. Bolts	(8)
2. Rear Housing, LH	(1)	6. Screws	(6)
3. Rear Housing, RH	(1)	7. Foam Strip	(1)
4. Guard, RH	(1)		

OMIX-ADA® TECHNICAL SUPPORT

PHONE: M-F 8am - 5pm EST 1-800-449-6649

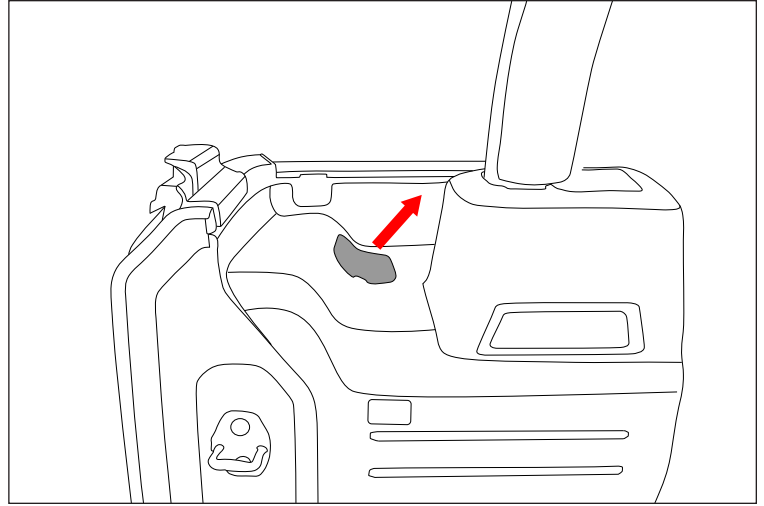
FOR WARRANTY OR TECH CONCERNS EMAIL: webmaster@omixsupport.com

ATTN: STATE OF CALIFORNIA CONSUMERS

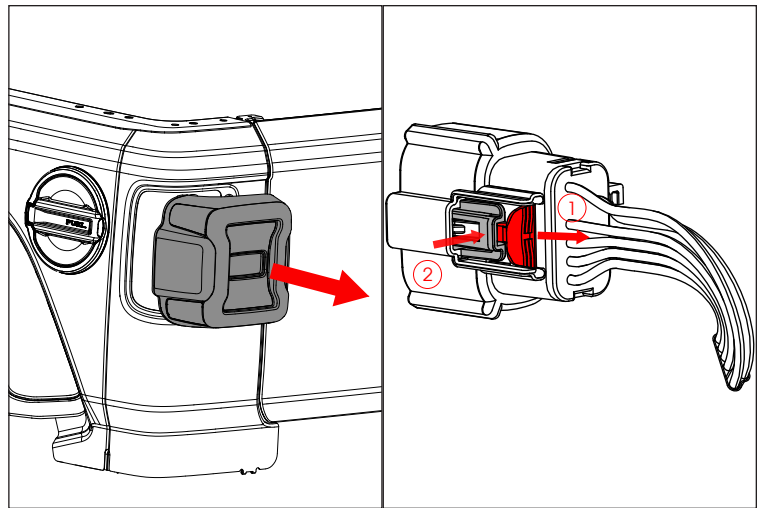
⚠ WARNING: Cancer and Reproductive Harm - www.P65Warnings.ca.gov.

Elite Tail Light Guard, Wrangler JL Patent Pending

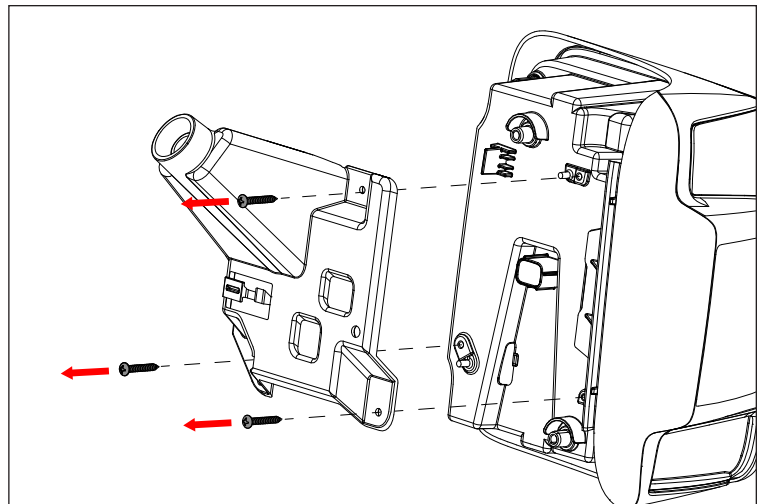
1. Lift plastic cover in cargo area to gain access to tail light mounting bolt.



2. Using either a 10mm or T40 torx socket, unscrew OE mounting bolt and carefully pull tail light away from vehicle. Unplug tail light by sliding red tab first. Then press down on gray tab and gently pull plug from light.



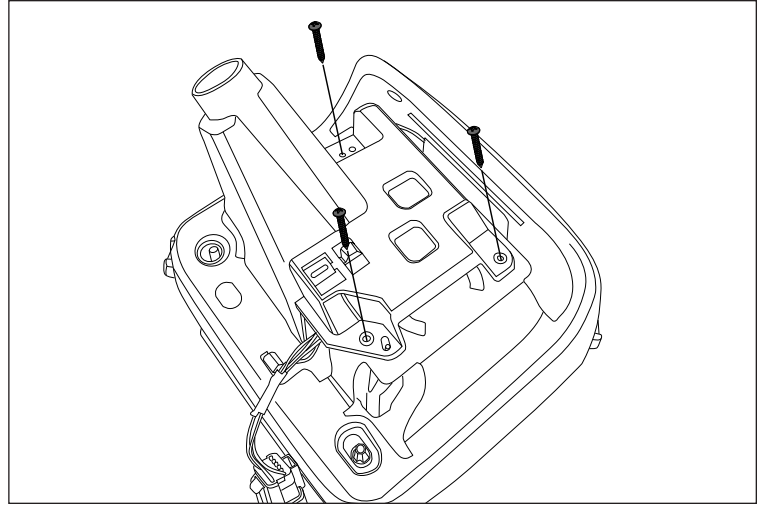
3. Remove OE mounting bracket by unscrewing Phillips head screws.



Elite Tail Light Guard, Wrangler JL Patent Pending

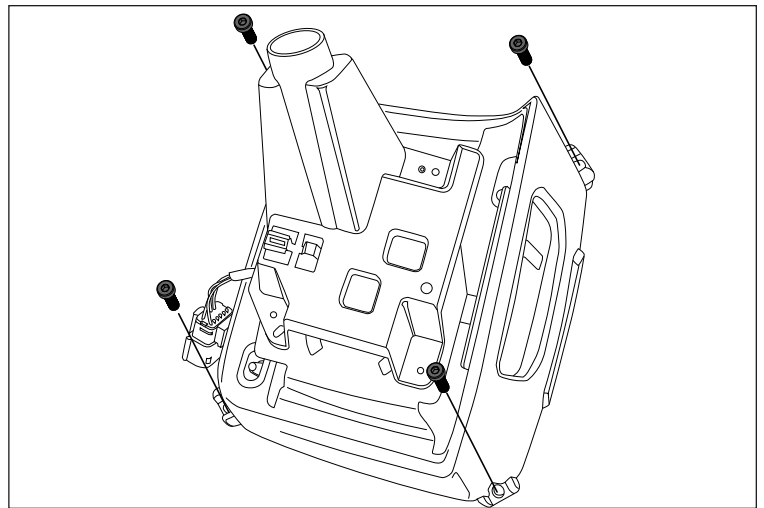
4. Position supplied Rear Housing between OE mounting bracket and tail light. Using supplied Screws, attach Rear Housing and OE mounting bracket to tail light.

NOTICE Be careful not to pinch wires between Housing and tail light.

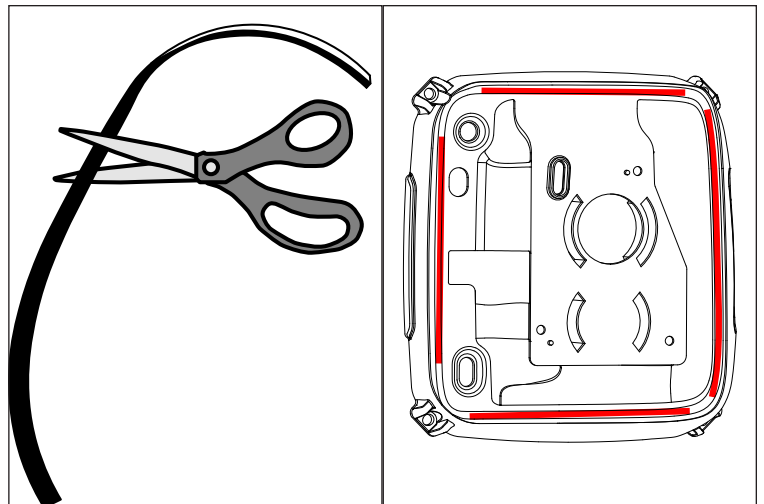


5. Using supplied Bolts, attach Guard to Rear Housing.

NOTICE Guard and Housing are either marked R or L to distinguish right and left side.



6. Cut and attach Foam Strips to area shown.



Elite Tail Light Guard, Wrangler JL Patent Pending

7. Reconnect Tail light to factory wire harness. Reusing OE tail light mounting bolt, attach tail light and new Tail Light Guard to vehicle.

