



**READ INSTRUCTIONS - Failure to assemble cover properly will void warranty.**

## FIVE YEAR WARRANTY

TruXedo, Inc. warrants that all new, unused products are free from defects in material and workmanship. This Five Year Limited Warranty is effective if the product is properly installed and used for the purpose intended. It applies to the original buyer only. TruXedo's obligation under this Warranty is limited to repairing, or at its option, replacing any part that is returned, transportation prepaid, to TruXedo, Inc., Yankton, South Dakota, if the product is, in our judgment, defective. All materials must be accompanied by an RMA (Returned Material Authorization) number requested by and authorized in advance of returning the materials. TruXedo, Inc. shall not be liable or responsible to supply or pay labor to replace any part found defective, nor shall it be liable for any damages of any kind or nature to person, product, or property.

There are no Warranties for used products or products that have been repaired, altered, modified, subjected to misuse, negligence, accident or ordinary wear and tear. Warranty registration must be on file and/or proof of original purchase (detailed and dated receipt) required for warranty to be effective.

Register online at [www.truxedo.com](http://www.truxedo.com)



### WARNING

Tighten clamps securely on side rails before driving vehicle, to prevent cover from blowing off.

### SAFETY INSTRUCTIONS

1. Do not place objects on or against cover or framework.
2. Do not tie cargo to TruXport framework.
3. **Never** allow children or pets to occupy pickup box while cover is closed.
4. Cover is not airtight. Special care is required to keep cargo clean and dry.
5. Fabric cover won't prevent theft of contents inside truck box.
6. Cover must be rolled fully open and secured with retainer straps when towing vehicle backwards.
7. Rolled opened cover must be tightly rolled, securely cinched down with both retainer straps, and away from the cab and window. **DO NOT STOW COVER AGAINST TRUCK CAB OR BACK WINDOW.**
8. Cover must be rolled fully open and secured with retainer straps if any part of the truck bed cover is worn or damaged.

It is the responsibility of the owner/user to read this manual and comply with the operating procedures. The owner/user is also responsible for inspecting their TruXport® cover, and for having parts repaired or replaced when worn or damaged.

Failure to follow safety instructions and warning labels could result in failure of your cover system and/or personal injury.

### MESSAGES TO INSTALLER

- Always wear safety glasses and/or other necessary protective equipment when installing your TruXport®.
- These instructions are complete for most pickup models. Additional instructions are included, if required for your pickup. Please read entire manual before installing your TruXport®.

Vinyl cover can be hand washed with mild soap and water or cleaned in a car wash. Thoroughly rinse cover to remove any soap residue. Recommended to use the tested and approved Protex truck bed cleaner or any vinyl protectant made for truck bed covers. **Never use any vinyl conditioners (ie, Armor All®) that contain silicone, petroleum, or citrus based products on your truck bed cover as they may crack and shrink the vinyl.**

### Questions?

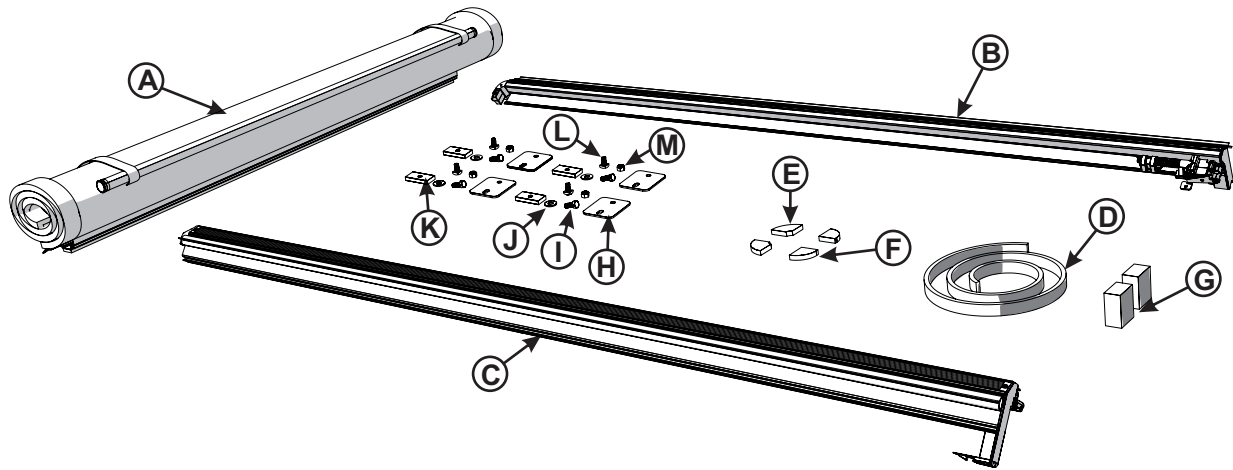
Call our friendly customer service staff at TruXedo, Inc. Toll Free:

**1-877-878-9336**

Mon - Fri 8 am - 5 pm CT

**Warranty registration must be on file and/or proof of original purchase (detailed and dated receipt) required for warranty to be effective.**  
Register online at [www.truxedo.com](http://www.truxedo.com).

## Soft Roll-Up Truck Bed Cover Kit Contents- RamBox Install



Call Out	Description	Quantity
A	Rolled Cover Assembly	1
B	RH (passenger side) Rail	1
C	LH (driver side) Rail	1
D	Bulkhead Seal	1
E	Corner Seal (front/ cab end)	2
F	Corner Seal (rear/ tailgate end)	2
G	Corner Block Seal	2
H	RamBox Bracket	4
I	Cap Screw, Hex Head	4
J	Flat Washer	8
K	RamBox Clamp	4
L	Cap Screw, Flat Head	4
M	Nylon Lock Nut	4

Damaged or missing parts?  
Call **1-877-878-9336**  
Mon - Fri 8 am - 5 pm CT  
Parts will be shipped to you factory direct.  
Do not return kit to place of purchase.

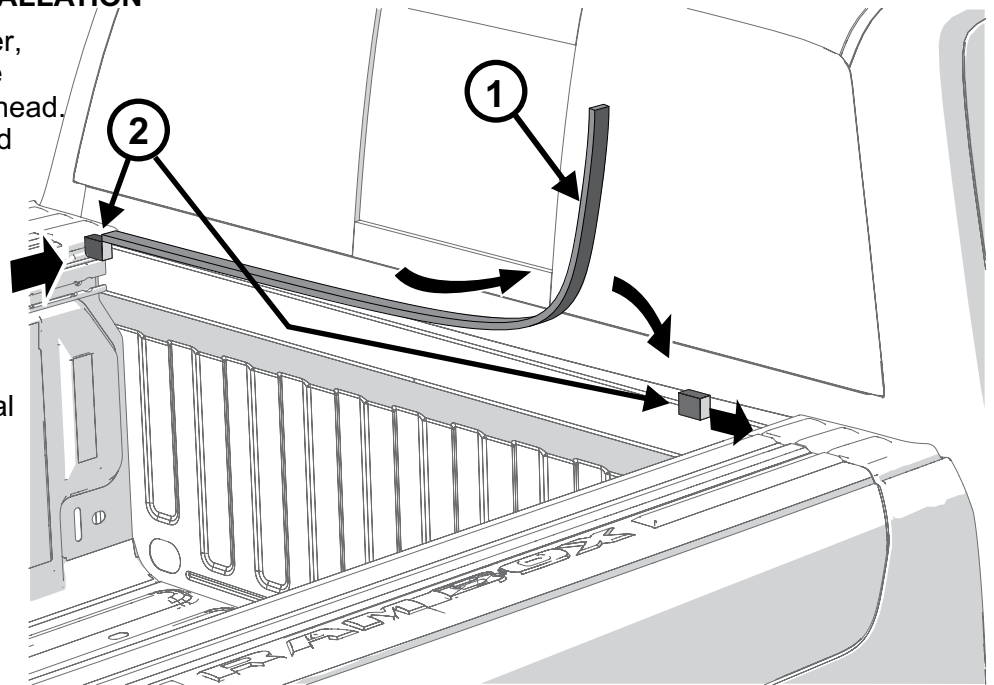
## RAMBOX BED INSTALL

### 1.0 BULKHEAD SEAL INSTALLATION

Prior to installation of the cover, the bulkhead seal needs to be installed to the top of the bulkhead. The surface should be cleaned with rubbing alcohol before application.

### 1.1 RAMBOX BED INSTALL

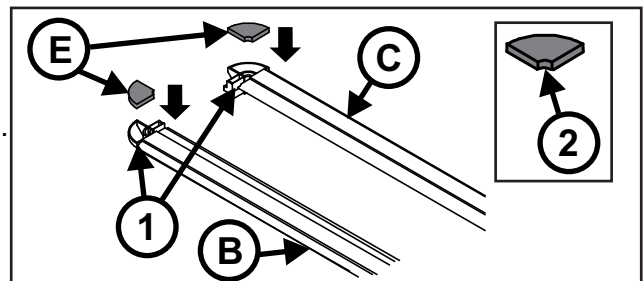
For RamBox installs, with or without a liner, in addition to the bulkhead seal adhere a foam block (2) onto the face of the bulkhead. The block's location should fit tightly in the corner with the bed cap, and match the height of the bulkhead seal.



### 2.0 CORNER SEAL INSTALLATION

2.1 Remove the adhesive paper cover and place the corner seals (E) onto both cab end corner plugs (1).

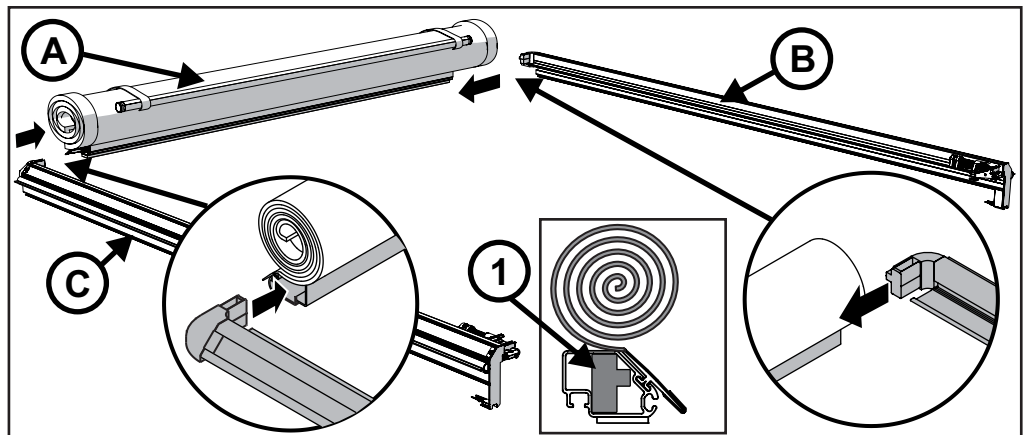
NOTE: The cab corner seals have a small notch inside (2), differentiating them from the tailgate end corner seals.



### 3.0 RAIL AND COVER INSTALLATION

NOTE: Assemble on a large, flat surface.

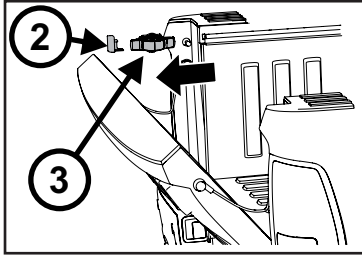
3.1 For the RamBox installation, the cover rails (B) & (C) need to be inserted into the header rail in the rolled assembly (A) prior to installing. Oriented as shown (1).



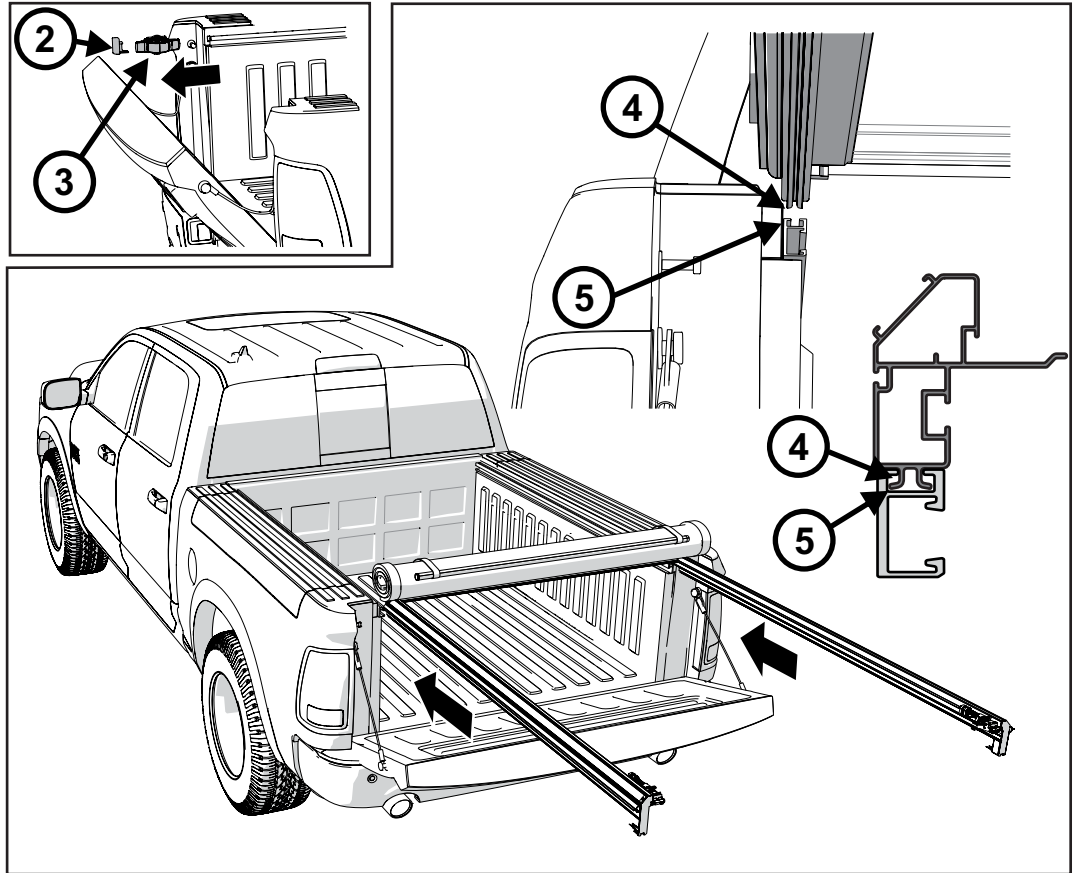
## RAMBOX BED INSTALL

### 3.0 RAIL AND COVER INSTALLATION

3.2 Remove the cargo rail end caps (2) and tie-down cleats (3) on both sides.

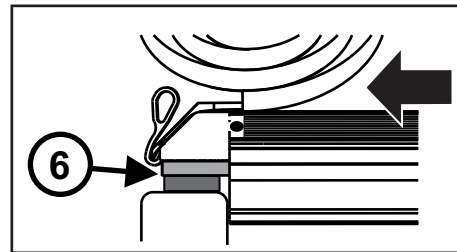
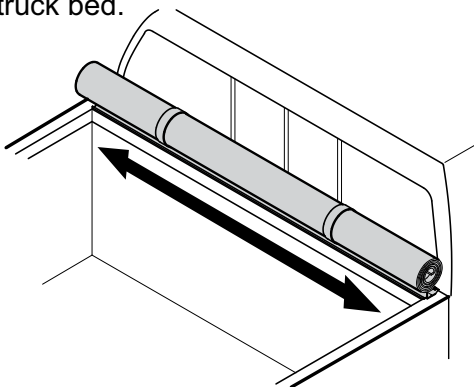


3.3 With two people, the full cover assembly is lifted to the existing cargo rails, the bottom of the cover rail (4) fits into the top slot (5) of the cargo rails. Slide forward. A soapy water solution can help the rails and side seals slide forward.



3.4 Slide the cover rail assembly forward so that the cab rail seals (6) make good contact with the installed truck bed bulkhead seals.

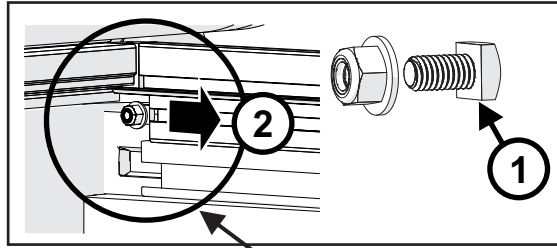
3.5 Center the cover side to side with the truck bed.



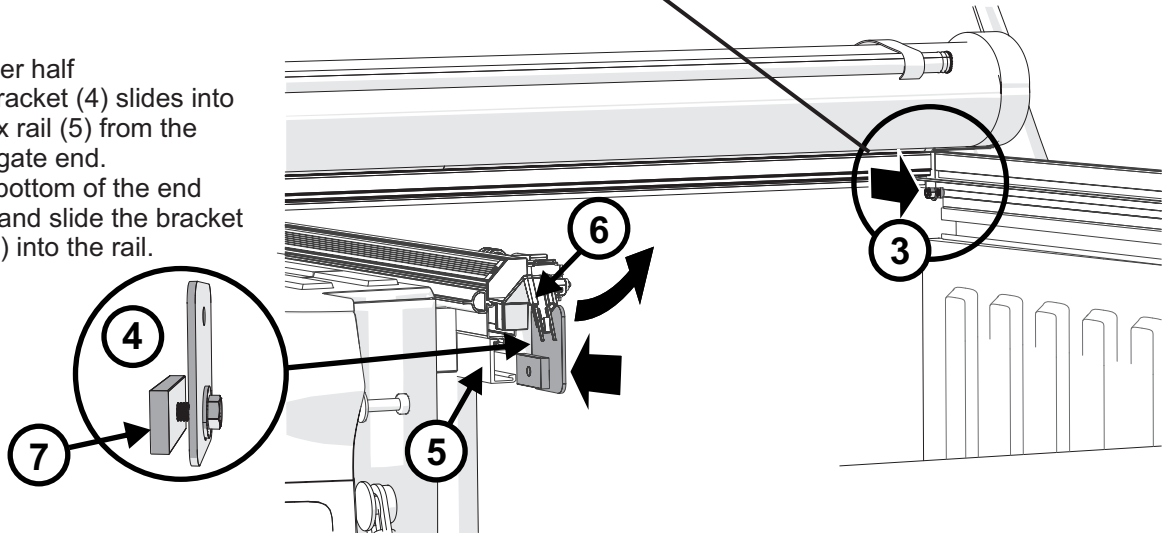
## RAMBOX BED INSTALL

### 4.0 RAIL BRACKET INSTALLATION

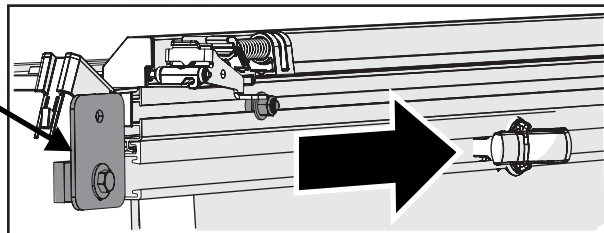
4.1 The rail mounting brackets slide into the rails at opposite ends on both sides. The top, square head bolts (1) slide into the cover rail in the upper slot (2) at the front/cab end of the rail (3).



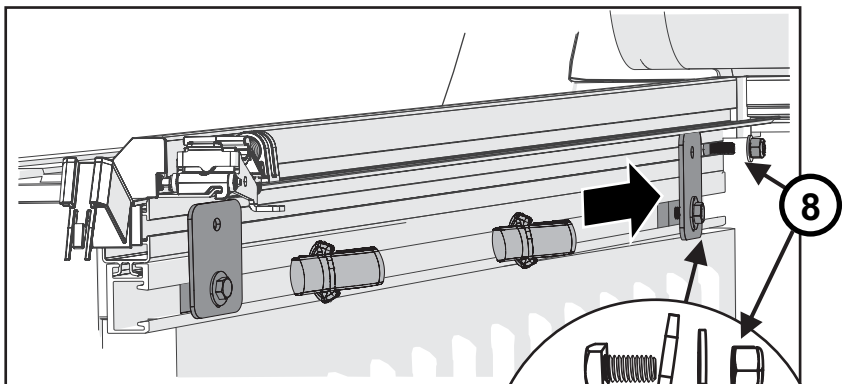
4.2 The lower half of the bracket (4) slides into RamBox rail (5) from the rear/tailgate end. Lift the bottom of the end cap (6) and slide the bracket block (7) into the rail.



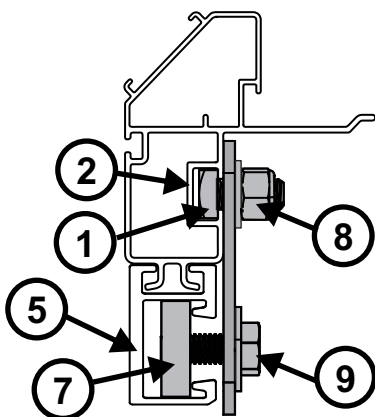
4.3 Before installing the rear/tailgate brackets, replace the tie-down cleats.



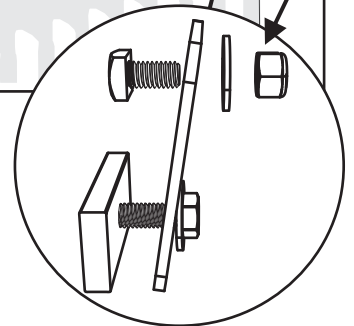
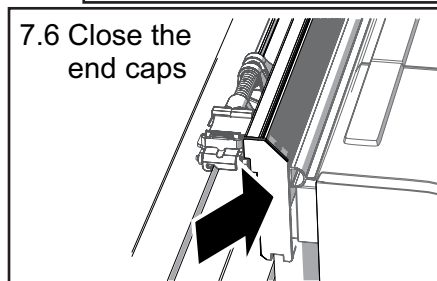
4.4 Slide the lower half of the bracket forward to meet the square head bolt. Leave the bracket loose to insert the bolt into the bracket and attach the washer and lock nut (8).



4.5 Tighten the bolts (8) and (9) to 13.5 Nm, 10 ft lb.



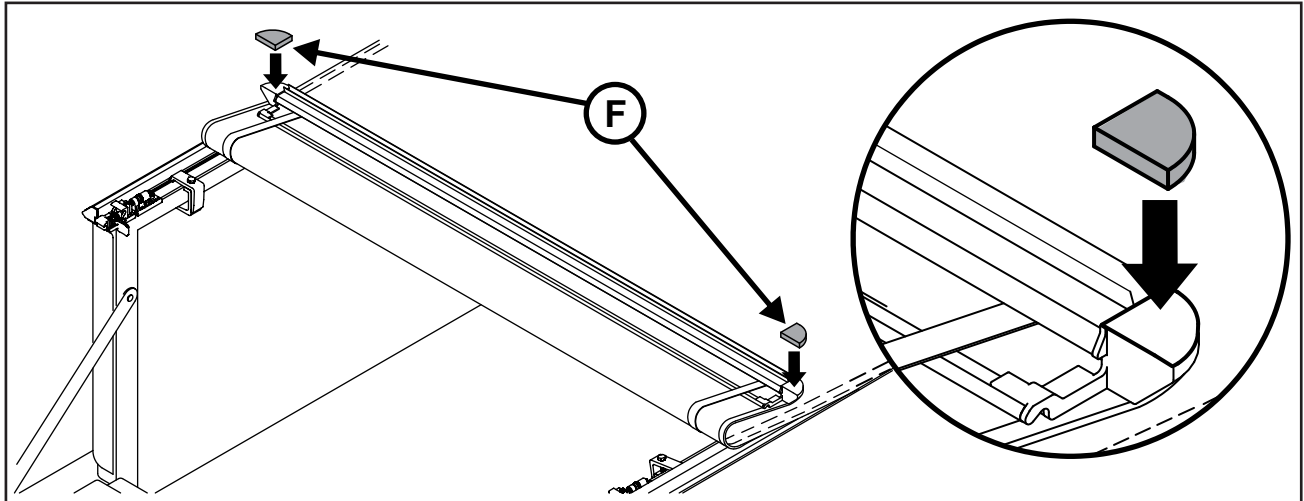
7.6 Close the end caps



## RAMBOX BED INSTALL

### 5.0 TAILGATE CORNER SEAL INSTALLATION

5.1 Fold the cover open at the tailgate, remove the adhesive backing and place a corner seal (F) on both corners of the cover header panel.

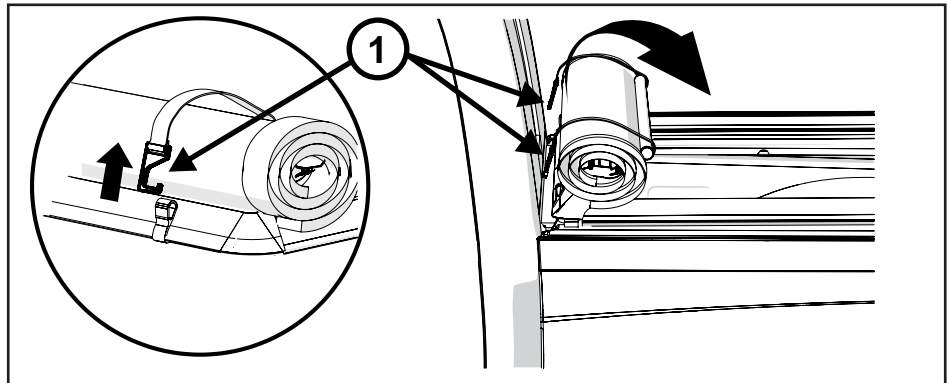
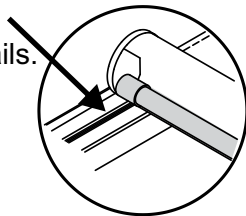


### 6.0 INSTALLATION COMPLETION

6.1 Installer will fold this document and place it in the vehicle's glove box.

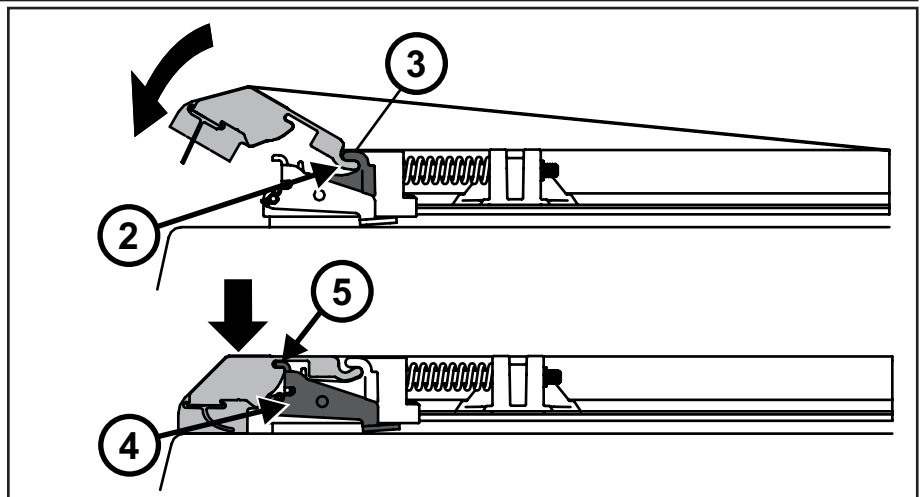
### CLOSING THE COVER

1. Release the retainer strap hooks (1) and unroll the cover. Each of the bows will sit on top of the rails.



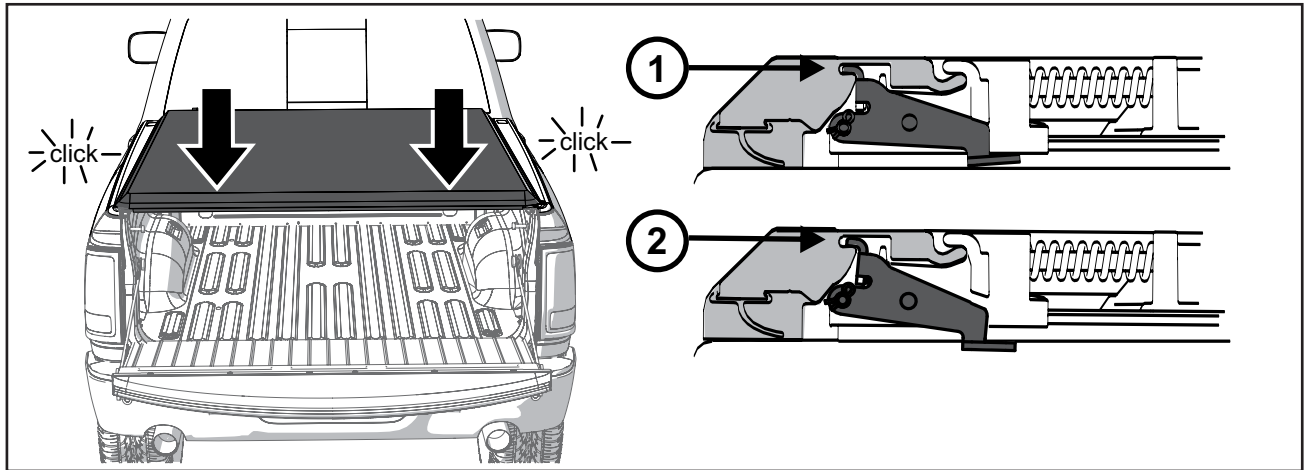
2. With the tailgate open, and the cover unrolled, hook the tailgate header (2) into the header stops (3) on both sides of the truck.

Push the tailgate header down until the latches (4) on both sides engage with the tailgate header (5).

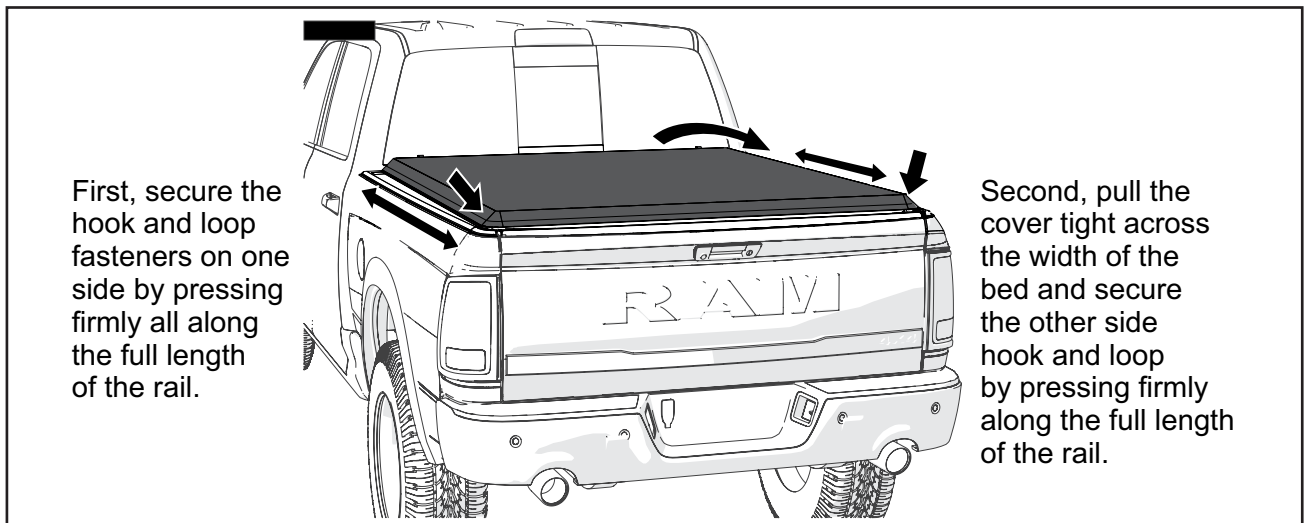


### CLOSING THE COVER- continued

3. Make sure to close and latch the cover on both sides, apply closing pressure on both sides of the truck. The latches will provide an audible click. NOTE: Fully engaged (1), not fully engaged (2).



4. To complete the cover closing, and to prevent wind lift, secure the hook and loop fasteners along the entire length of both side rails.

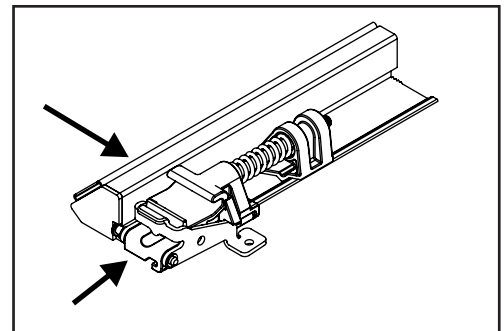


### COVER TENSION

1. There is no need to adjust cover tension. The latch assembly is already factory set to the correct tension amount.  
**Any modification done to the latch will void the warranty.**

To keep the cover taut, periodically repeat the steps in Step 4 from above. Checking the hook and loop and re-stretching the cover across the bed.

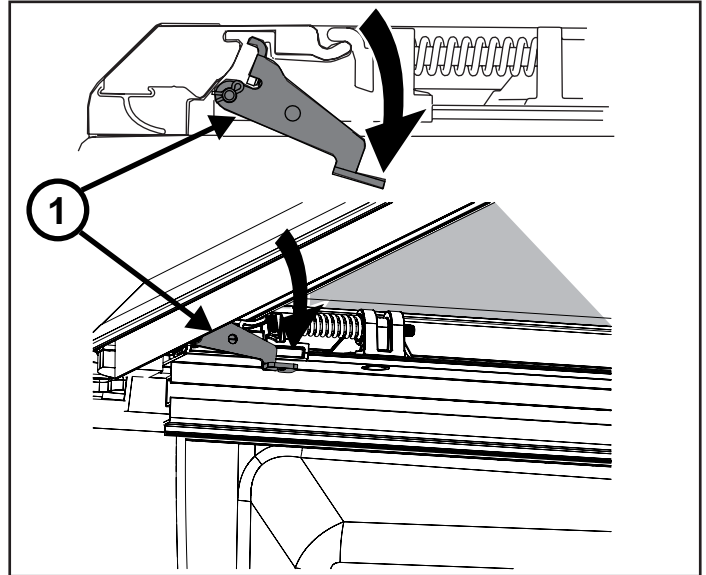
For continued ease of operation, periodically clean the hook and loop and latch with high pressure water to remove dirt and dust.



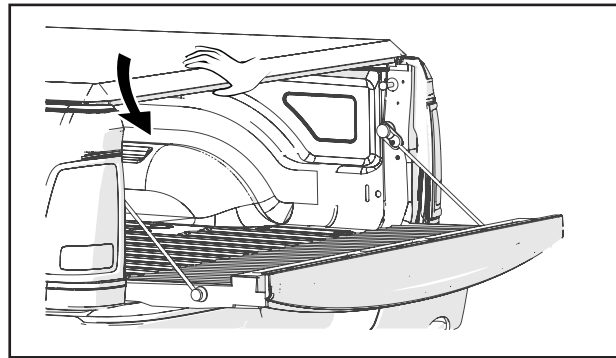
NOTE: The cover may appear more loose or relaxed in cooler and cold conditions, and tighter in warm and hot conditions.

## OPENING THE COVER

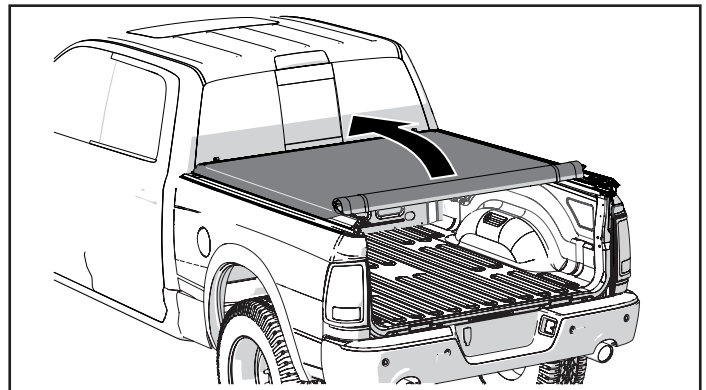
1. With the tailgate open, press downward on one side latch (1) to disengage.



2. Grasp the tailgate header and release the opposite latch.

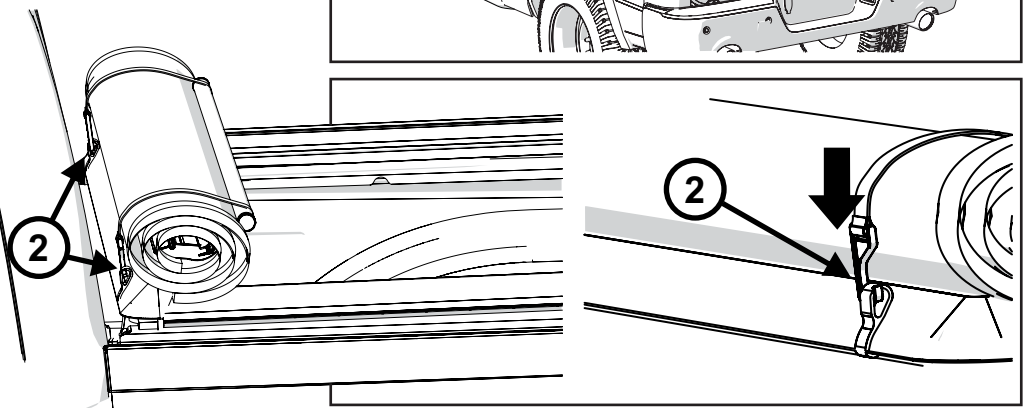


3. Roll up the cover. Do not disengage the hook and loop fasteners prior to rolling the cover.



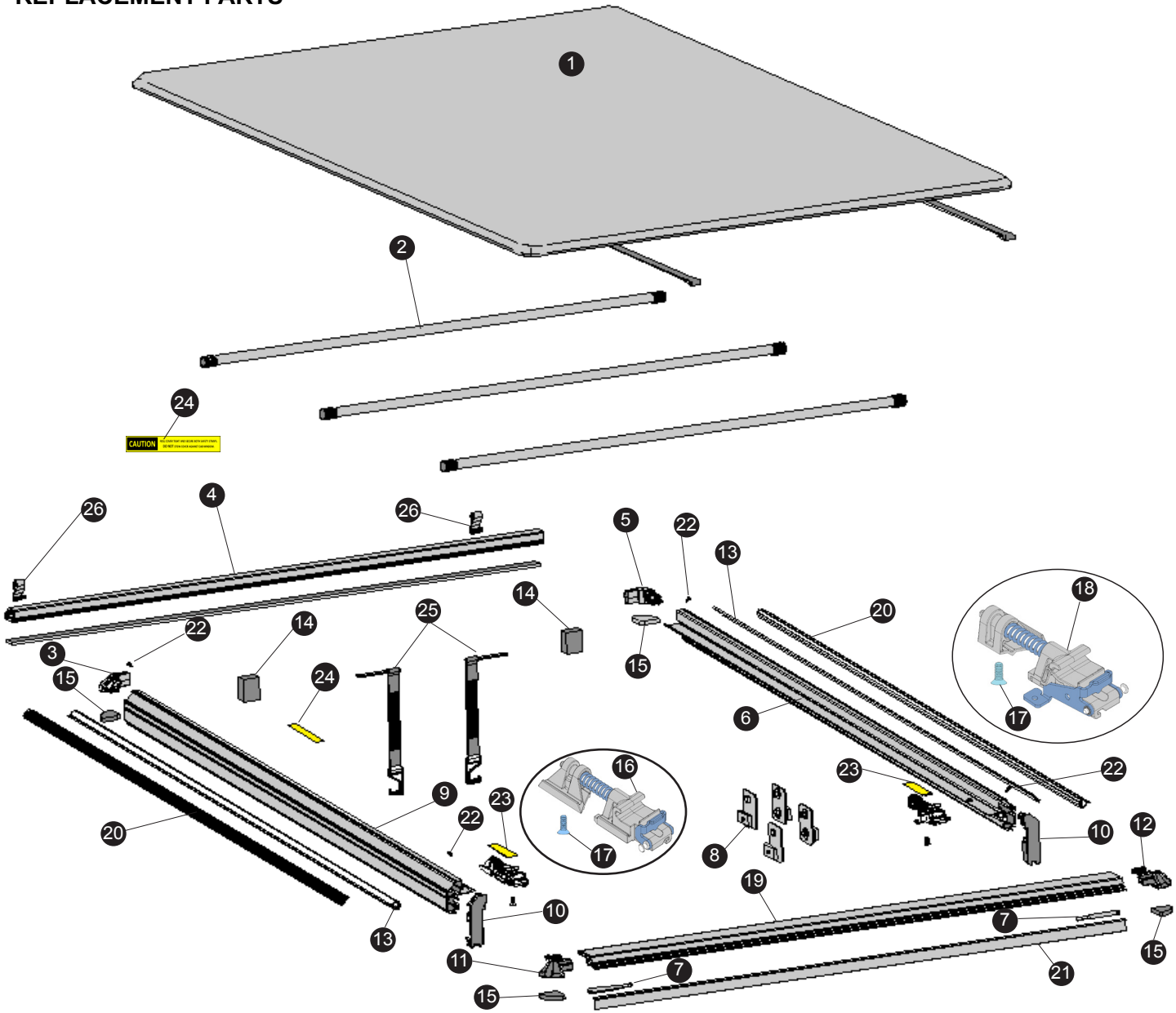
4. Always secure the cover at the front with both retainer straps (2).

The opened cover must be rolled tightly, securely cinched down, and away from the cab and window. **DO NOT STOW THE COVER AGAINST THE TRUCK CAB OR BACK WINDOW.**





REPLACEMENT PARTS



1	*	Cover	14	1704537	Block Seal_1 X 2 X 1.5_PVC Foam
2	*	Bow	15	1703568	Four Corners Weather Seal
3	1705421	Corner Plug, Driver Side	16	1117868	Complete Latch Assy, Driver's Side
4	*	Cab End Header	17	1703560	Flat Head Cap Screw
5	1705420	Corner Plug, Passenger Side	18	1117869	Complete Latch Assy, Passenger's Side
6	*	Passenger's Side Rail	19	*	Tailgate Header
7	1116028	Retainer Clips	20	1118216	Hook Fastener
8	1118261	Bracket Assembly (4)	21	*	Rear Header Seal
9	*	Driver's Side Rail	22	1705629	Self-Drilling Screw, Square Head 6-20 X 3/8"
10	1118217	Rear Side Rail End Plugs (Set)	23	1703750	Decal Dual Latch
11	1118210	Replacement Driver Side Header End Plug Set	24	1705142	Decal Do Not Stow Cover Against Cab Window
12	1118211	Replacement Pass. Side Header End Plug Set	25	1118256	Retainer Strap Replacement Set (includes Retainer Clips)
13	1705886	Extruded Side Rail Seal_64.438"	26	1705761	Retainer Loop

\* Please specify length or make and model of vehicle