

2007 OR NEWER TOYOTA TUNDRA W/TRACKS INSTALLATION INSTRUCTIONS

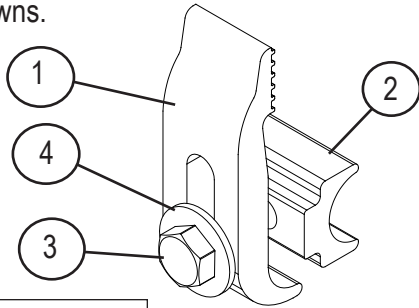
- 1** Remove cargo rail end plugs: At the tailgate push in on the plug lock and at the same time push the end plug out of the track.



- 2** Remove tie downs: If tie downs are installed remove them from the cargo rail.

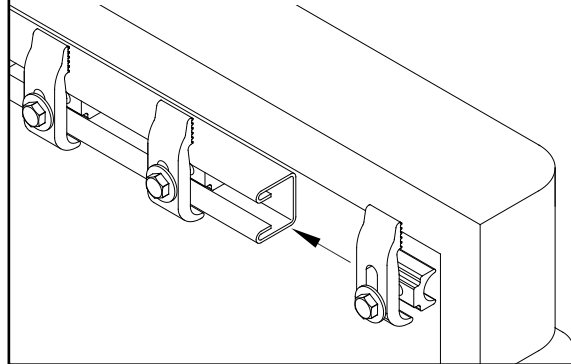


- 3** Install clamps: Slide the female side of clamp into the cargo rail. See step five on how to arrange in order the clamps and tie downs.



Item	Part #	Description
1.	1705360	MALE CLAMP
2.	1703889	FEMALE CLAMP
3.	1701208	CAP SCREW 5/16" X 1 1/4"
4.	1700428	FLAT WASHER 5/16"

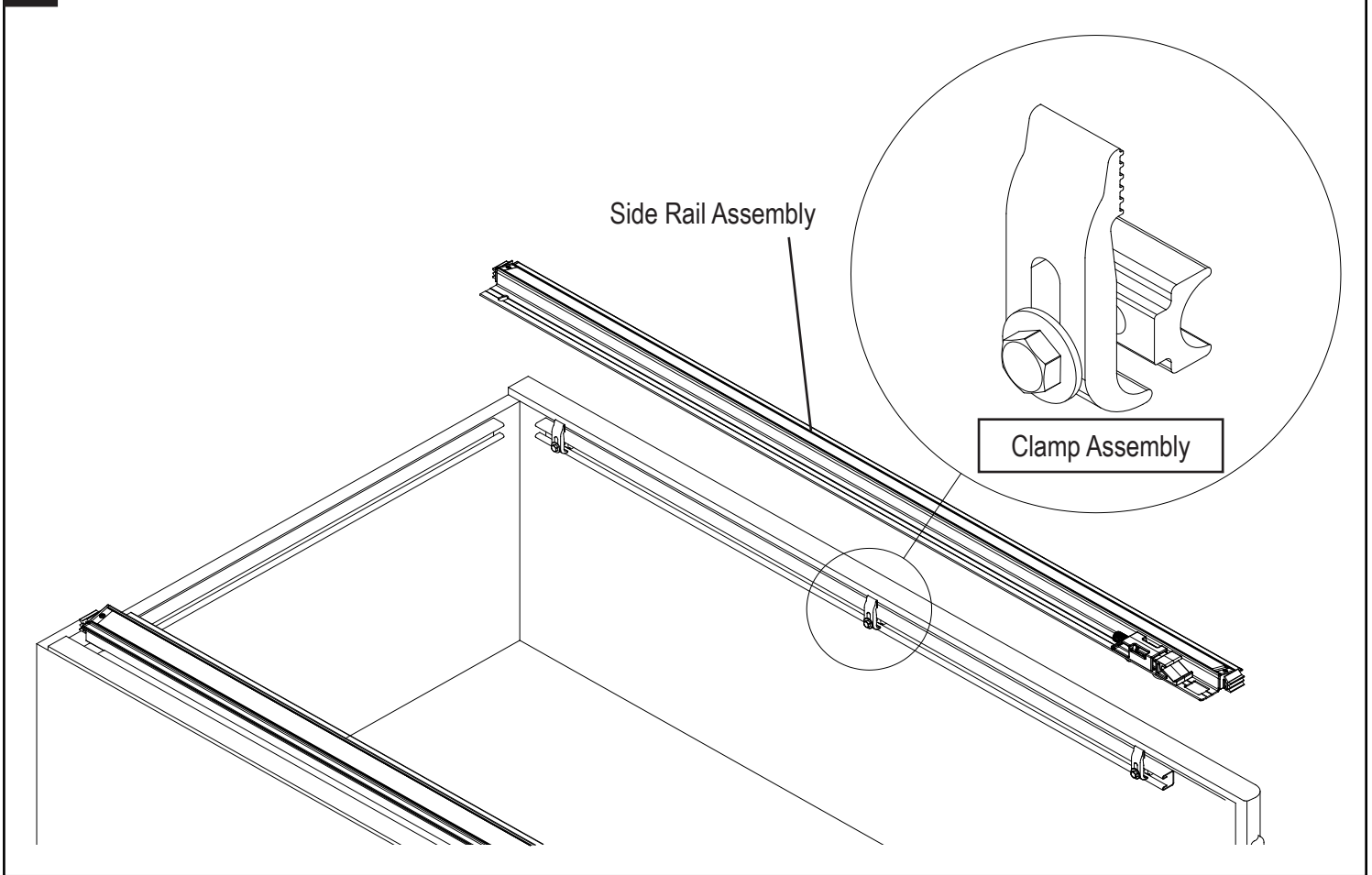
- 4** Install clamps in cargo rail as shown below:
After clamps and tie down are installed replace the cargo rail end plugs. Leave clamps loose for now. Repeat steps 1 through 4 for the passenger side clamp installation.



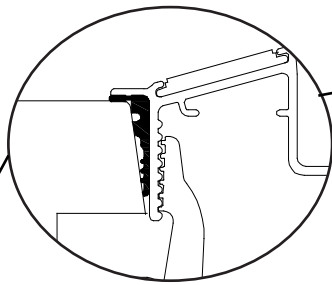
- 5**
- Position clamp here
- Position clamp here
- Position Rear tie down here
- Position Front tie down here
- Position clamp here
- Tailgate end
- Front of box
- Three clamps per side needed.
-

2007 OR NEWER TOYOTA TUNDRA W/TRACKS INSTALLATION INSTRUCTIONS

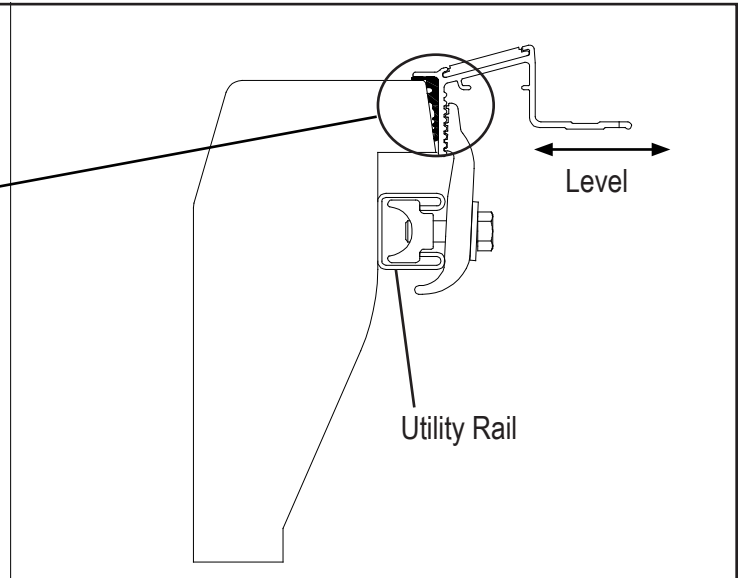
6 Refer to Owner's Manual for complete instructions.



7 Install side rails, wedging rails between male clamp and bed rail. Refer to Owner's Manual for Side Rail placement.



Rail Lip sits on top of Bed Rail for Proper Installation.



! CAUTION

Tighten clamp assemblies securely on side rails before driving vehicle.