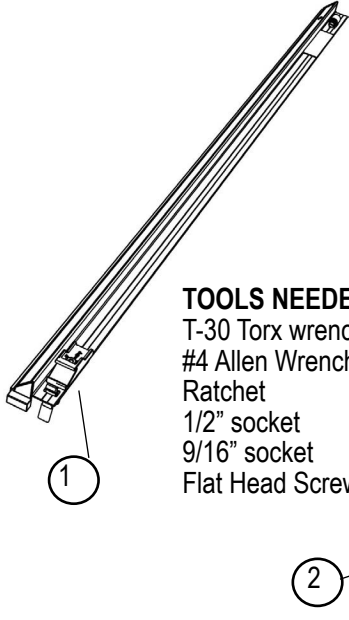


LO PRO SPORT BAR INSTRUCTIONS

Item	Part #	Description
1.		Side Rail, Driver's Side
2.		Side Rail, Passenger's Side
3.	1117840	Bulkhead seal
4.	1705762	Foam .1875 X 1 weather seal
5.	1118183	.25 X 1 Rubber Weather seal
6.	1705391	Aluminum Clamp Assembly
7.	1705481	Aluminum Stake Pocket Clamps
8.	1117096	Shims .5 X 1.125

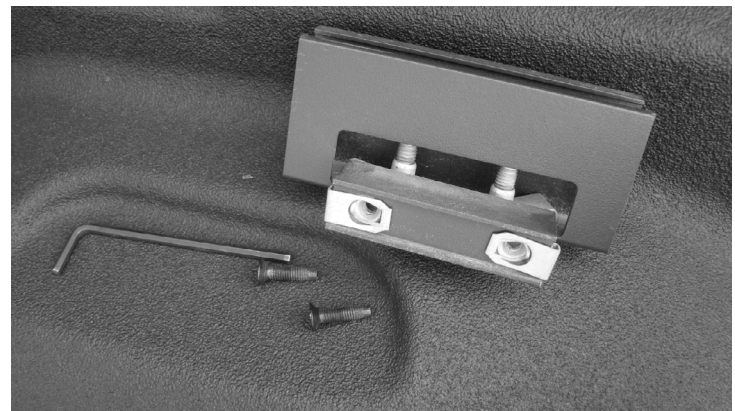
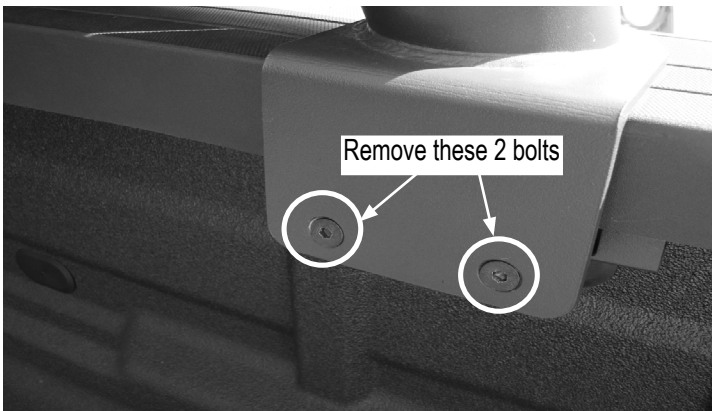


TOOLS NEEDED:
 T-30 Torx wrench
 #4 Allen Wrench
 Ratchet
 1/2" socket
 9/16" socket
 Flat Head Screw Driver



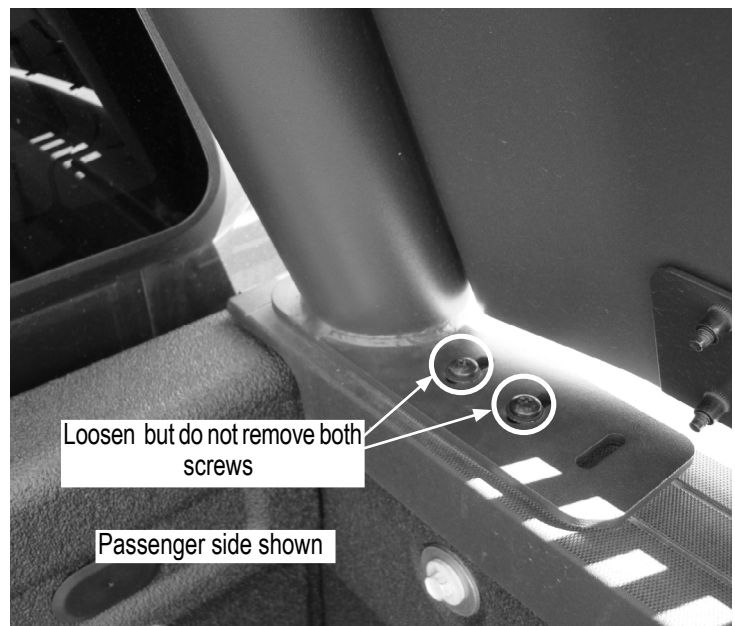
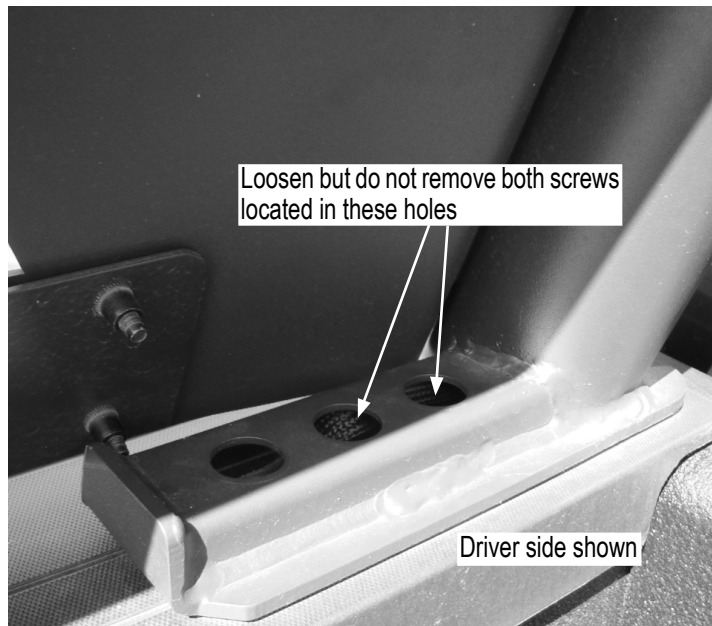
STEP 1: Using a #4 Allen Wrench, Remove the 2 bolts indicated below on both Driver and Passenger sides removing the bracket.

STEP 1: Removed. Here is the bracket and both bolts once it is removed.



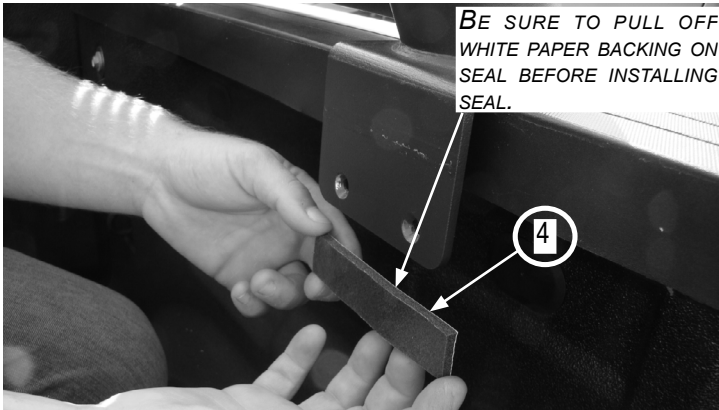
STEP 2: Using T30 Torx wrench loosen both screws located in the two holes located below.

STEP 2 CONTINUED: Using T30 Torx wrench loosen both screws located below.

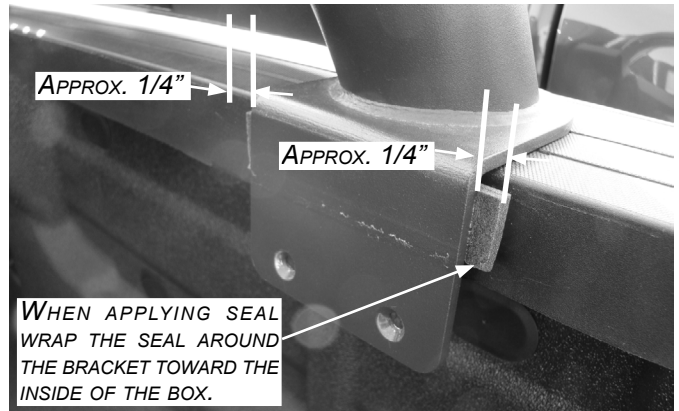


LO PRO SPORT BAR INSTRUCTIONS

STEP 3: Apply the seal as shown in the picture with the sticky side facing towards you. Make sure to center the seal left and right on the bracket when applying.



STEP 3 INSTALLED: This shows what it will look like once you have the sport bar seal installed.



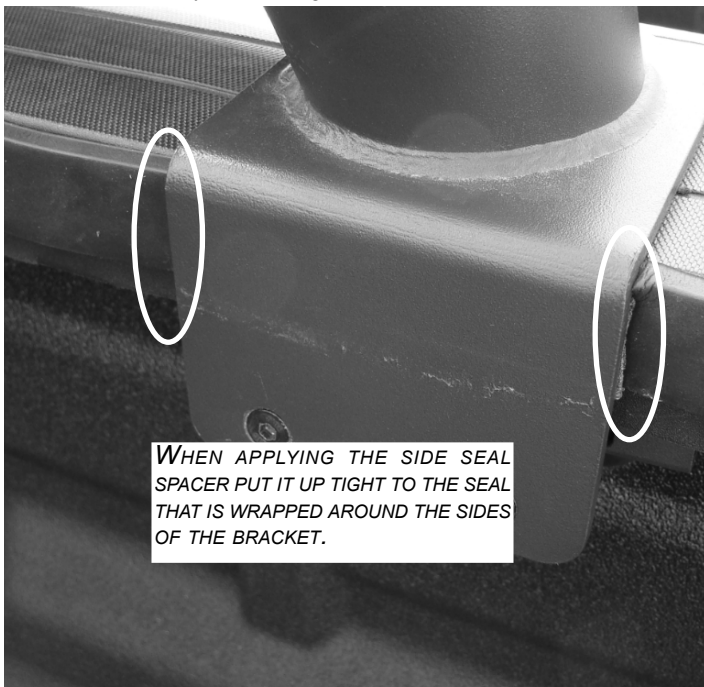
STEP 4: Apply side seal spacer along bed rail flush with the top of the bed cap.



STEP 4 CONTINUED: What the side spacer seal should look like when applied up by the bulkhead.



STEP 5: The side seal spacer needs to be cut on both sides of the sport bar bracket as indicated below. The seal is installed correctly when no gap is between the end of the seals.

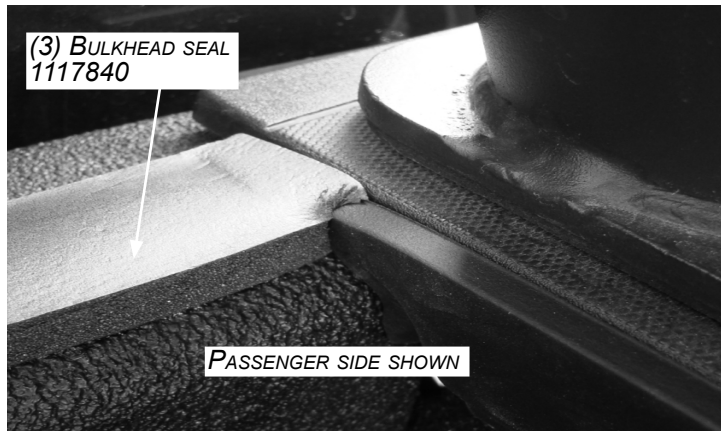


STEP 6: Cut the side seal spacer at the rear of the truck bed as indicated below.

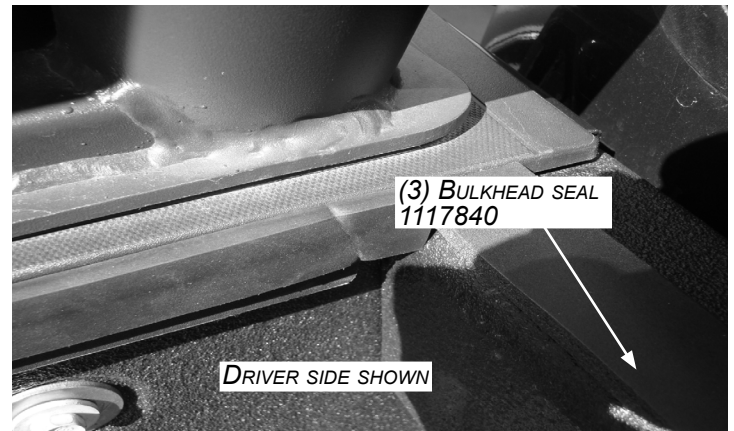


LO PRO SPORT BAR INSTRUCTIONS

STEP 7: Install the bulkhead seal from bed rail cap to bed rail as shown below.



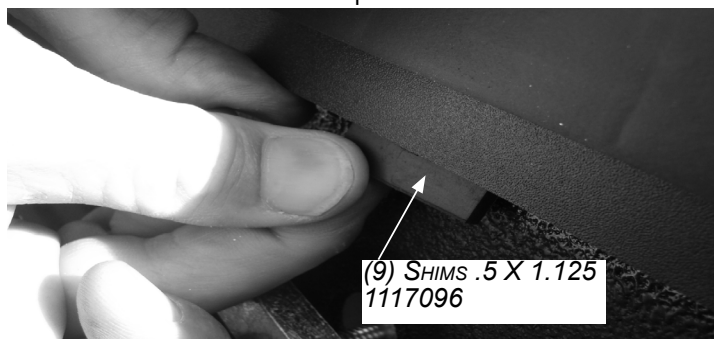
STEP 7 CONTINUED: How the bulkhead seal should look after it is applied.



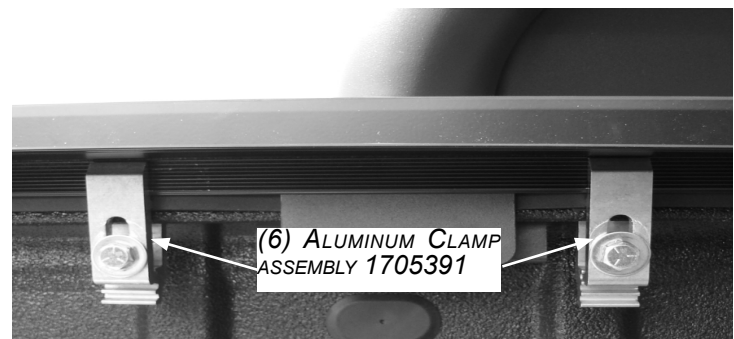
STEP 8: Install clamps in the positions shown below. Install rubber shims before installing and tightening the clamps. Refer to step 9 on how to do so.



STEP 9: Install a shim for each clamp underneath the bed cap in the location that clamp will be mounted.



STEP 10: Install aluminum clamp 1705391 on both sides of the sport bar bracket.



NOTE:

Reinstall the brackets that were removed in Step 1 and Step 2 and retighten the front sport bar connections

STEP 11:

Repeat all of these steps on the other side of the pickup box. See owners manual 1118085 for installing the cover assembly.