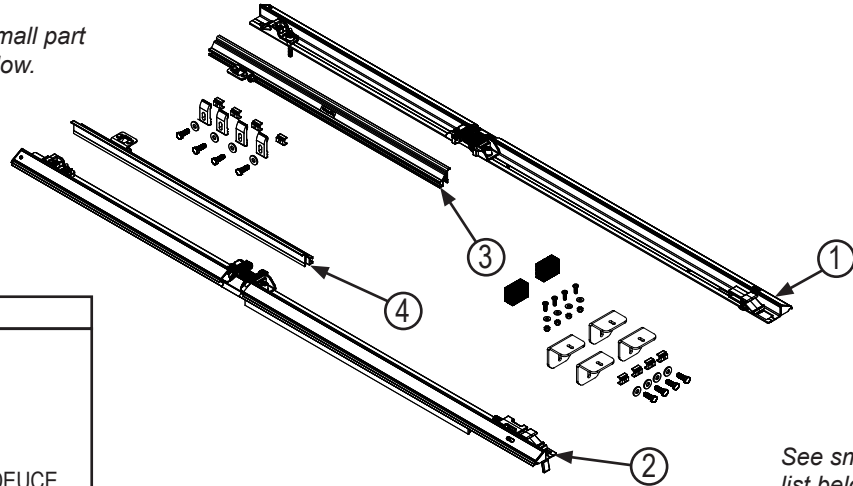


# 2016 TOYOTA TACOMA DEUCE SUPPLEMENTAL INSTRUCTIONS

Refer to manual for additional installation tips.

See small part list below.



See small part list below.

## Replacement Parts List

Item	Part #	Description
1.	*****	PASSENGER SIDE RAIL ASSEMBLY.
2.	*****	DRIVER SIDE RAIL ASSEMBLY.
3.	1118012	UNDERBODY RAIL PASSENGR SIDE.
4.	1118013	UNDERBODY RAIL DRIVER SIDE.
5.	1118064	HARDWARE BOX TOYOTA TACOMA DEUCE.

- 1** Remove cargo rail end plugs: Begin by pushing in on the end plug tab and at the same time push the end plug out of the rail.

**CARGO RAIL**      **TAB ON END PLUG**



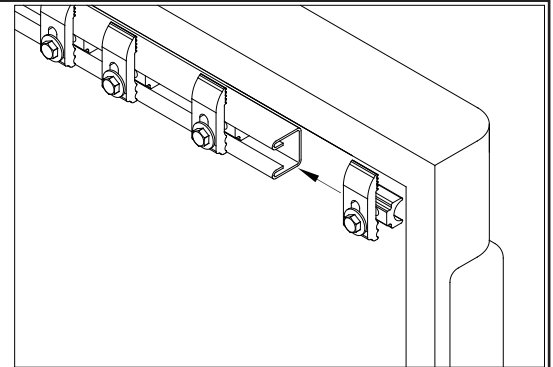
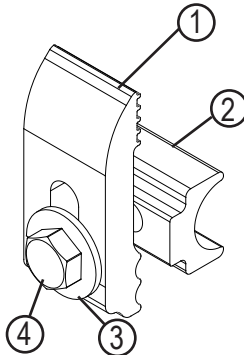
- 2** Remove tie downs: If tie downs are installed in the cargo rail, remove them for now.



- 3** Install the clamp assemblies into the cargo rails (2 per side): Assemble the clamps as shown. Insert the assembled clamps into the cargo rail and slide to the front.

## Replacement Parts List

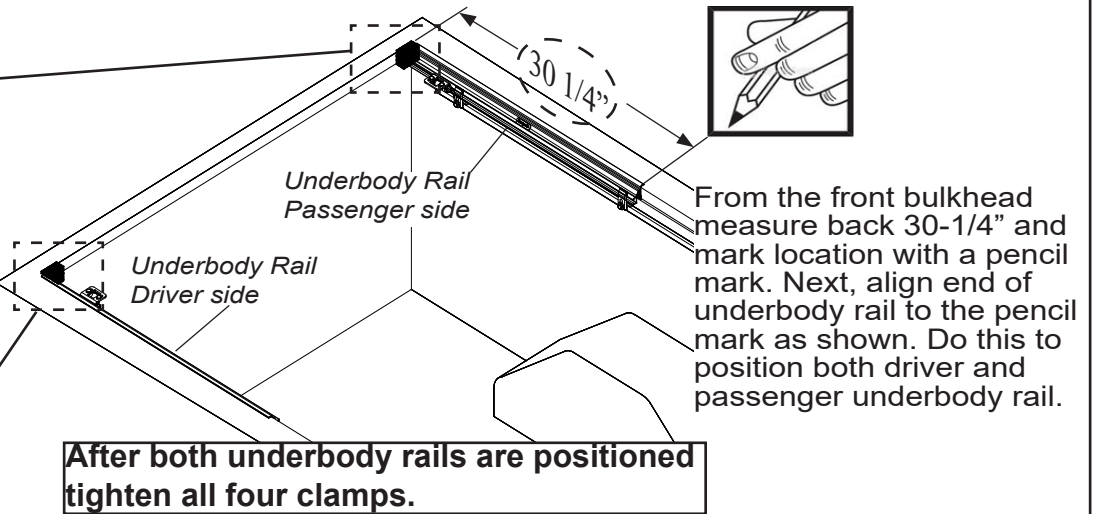
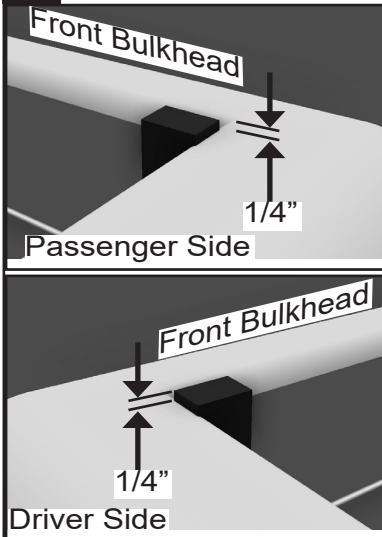
Item	Part #	Description
1.	1706408	CLAMP MALE
2.	1703889	CLAMP INSERT FEMALE
3.	1700428	5/16 WASHER
4.	1702926	SCREW_HEX HD_5/16-18 X 7/8 LONG



**Leave all fastener hardware loose at this time.**

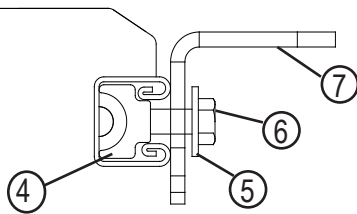
# 2016 TOYOTA TACOMA DEUCE SUPPLEMENTAL INSTRUCTIONS

**4 Attach Foam Block Seals.** Peel white paper backing off and attach foam corner block seals.



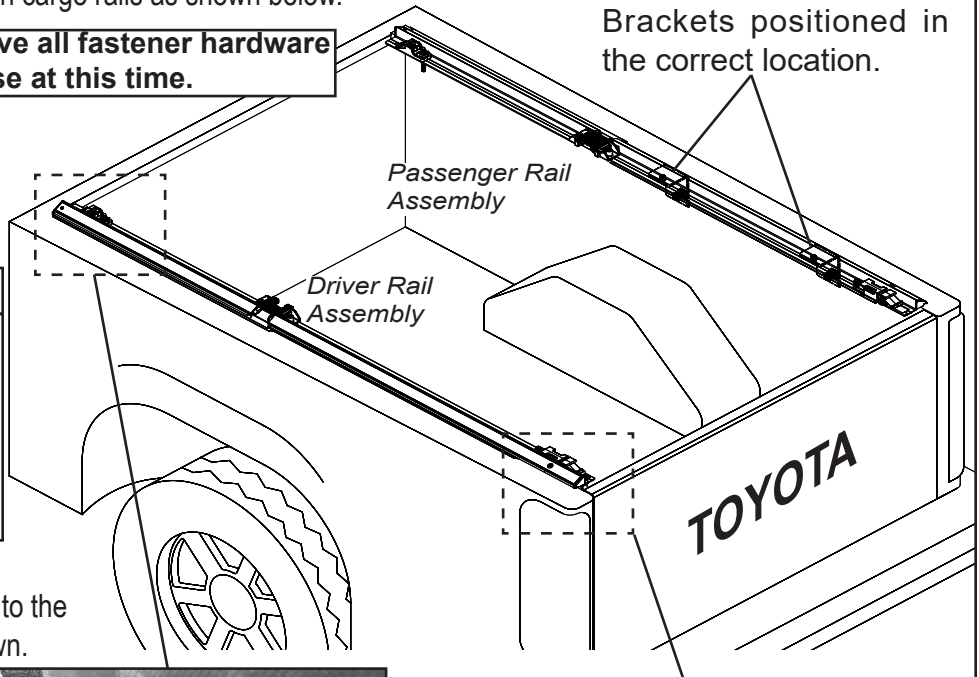
**After both underbody rails are positioned tighten all four clamps.**

**5 Assemble and slide bracket hardware in cargo rails as shown below.**



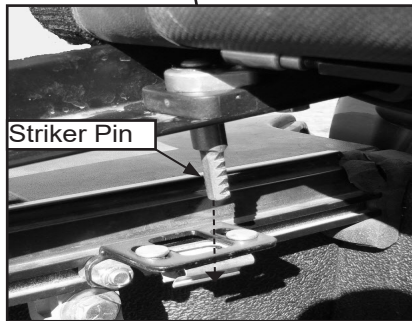
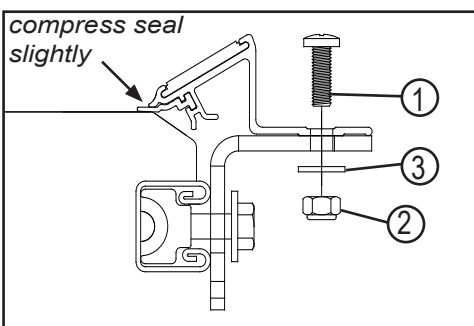
**Leave all fastener hardware loose at this time.**

Brackets positioned in the correct location.

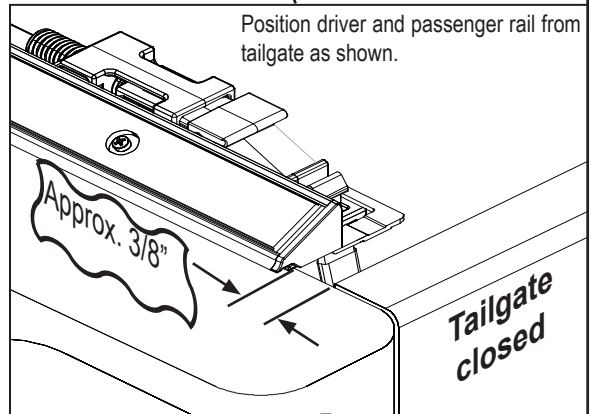


Replacement Parts List		
Item	Part #	Description
1.	1702741	SCREW_PN HD_1/4"-20 X 3/4"
2.	1701543	HEX NUT_FULL_NYLON LOCK_1/4"-20
3.	1700427	FLAT WASHER_1/4" _USS
4.	1703389	CLAMP INSERT FEMALE
5.	1700428	5/16 WASHER
6.	1702926	SCREW_HEX HD_5/16-18 X 7/8 LONG
7.	1705564	BRACKET

**6 Position driver and passenger rails on to the brackets and fasten hardware as shown.**



Striker pin must line up with spring latch. If not, slightly move side rails forward or rearward as needed.



**7 Once rails have been positioned tighten all bracket hardware.** To finish installing kit continue to step 3 in manual that was supplied with this kit.

**Refer to manual for complete install.**