

INSTALLATION MANUAL

111001

Level of Difficulty

Moderate

Parts List

1	Headache rack
1	Driver / left mounting bracket
1	Passenger / right mounting bracket
4	Hex bolt, M12 - 1.75 x 50mm
4	Hex bolt, M12 - 1.75 x 40mm
16	Flat washer, M12
8	Lock washer, M12
8	Hex nut, M12

Tools Required

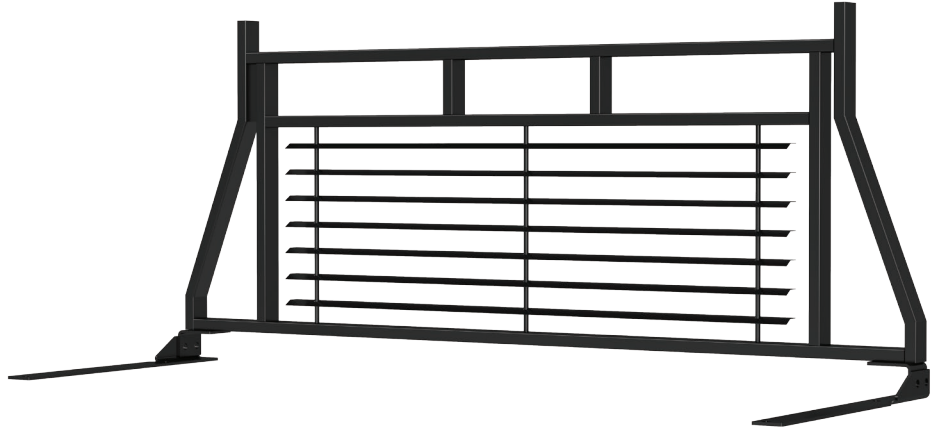
Ratchet	Socket set
Drill	Wrench set
Drill bit, 13/32"	Torque wrench

Torque Specifications

	Metric	SAE
M6 bolt	3 ft.-lbs.	
M8 bolt	7 ft.-lbs.	
M10 bolt	16 ft.-lbs.	
M12 bolt	28 ft.-lbs.	
1/4" bolt		3 ft.-lbs.
5/16" bolt		7 ft.-lbs.
3/8" bolt		16 ft.-lbs.
7/16" bolt		20 ft.-lbs.
1/2" bolt		28 ft.-lbs.

Use above torque setting unless otherwise noted

Product Photo



Notes and Maintenance

Before you begin installation, read all instructions thoroughly.

Proper tools will improve the quality of installation and reduce the time required.

To protect the product, wax after installing. Regular waxing is recommended to add a protective layer over the finish. Do not use any type of polish or wax that may contain abrasives that could damage the finish.

For polished, gloss and other smooth finishes, polish may be used to clear small scratches and scuffs on the finish.

Mild automotive detergent may be used to clean the product. Do not use dish detergent, abrasive cleaners, abrasive pads, wire brushes or other similar products that may damage the finish.

Refer to the table to the left when securing hardware during the installation process to help prevent damage to the product or vehicle.

Product Registration

CURT Group stands behind our products with industry leading warranties.

You can help us continue to improve our product line and help us understand your needs by registering your purchase by visiting:

warranty.curtgroup.com/surveys

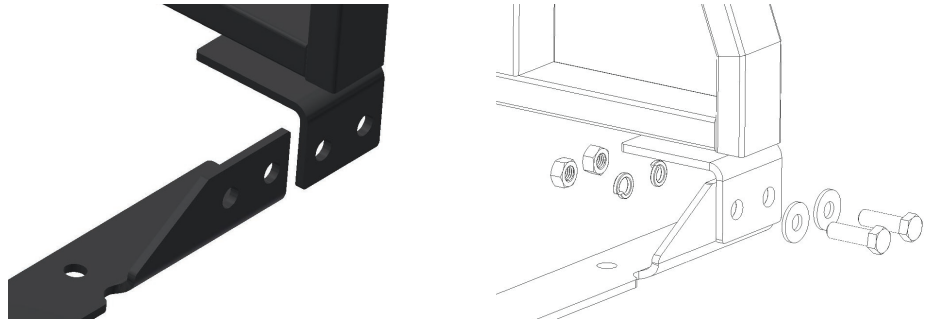
At CURT Group, customer is king. We value your feedback and we use that information to make improvements on our products. Please, take a minute and let us know how we are doing.

Step 1

Attach the headache rack to the passenger-side bracket with two M12 x 40mm hex bolts, four M12 flat washers, two M12 lock washers and two M12 hex nuts.

Snug the hardware, but do not fully tighten at this time.

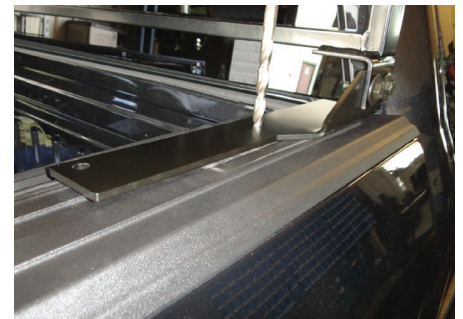
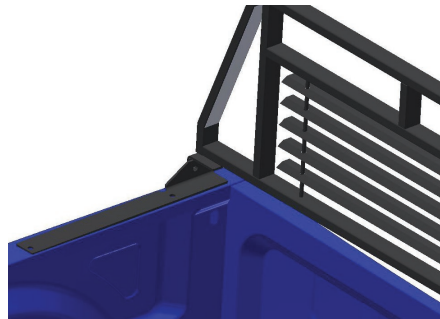
Repeat on the driver side.



Step 2

With help, place the headache rack onto the upper rails of the truck box.

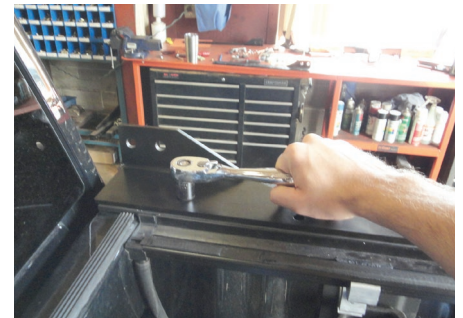
Once the headache rack is in the desired location, mark the mounting holes on both sides of the vehicle. Drill 13/32" holes on the upper rails.



Step 3

Secure the headache rack to the truck rails with two M12 x 50mm hex bolts, four M12 flat washers, two M12 lock washers and two M12 nuts per side.

Snug the hardware, but do not fully tighten at this time.



Step 4

Level and align the headache rack to the desired position. Tighten all hardware to 79 ft-lbs.

Congratulations on the installation of your new ARIES headache rack.

With the headache rack installed, periodic inspections should be performed to ensure all mounting hardware remains tight.

